

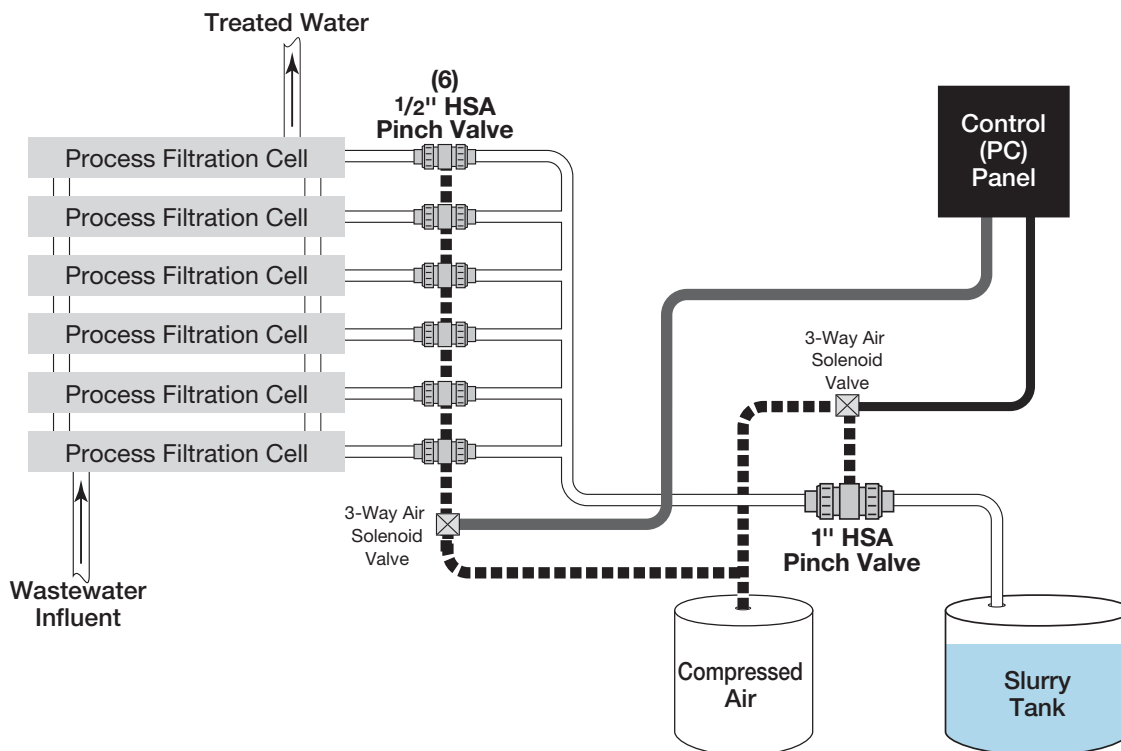
MARKET Wastewater Treatment

PRODUCT(S) Series HSA Pinch Valves

REQUIREMENT Introduce slurry to process cells to filter contaminated water

PROCESS FLUID(S) Slurry (water with suspended solids)

INLET PRESSURE/TEMPERATURE 15 PSI / 100F



Prior to wastewater being released into the system, the HSA Pinch Valve is used to introduce the slurry mix into each process cell. Once the cells are filled, the Pinch Valves are closed and the wastewater is released onto the system where the water is filtered and purified. Both a Ball Valve and a Diaphragm Valve were

tried initially, but after a short time they would clog and bind due to the thick slurry. The Plast-O-Matic Series HSA Pinch Valve allows the system to run for a long period of time without any concern of clogging or having a valve that will not open or close.